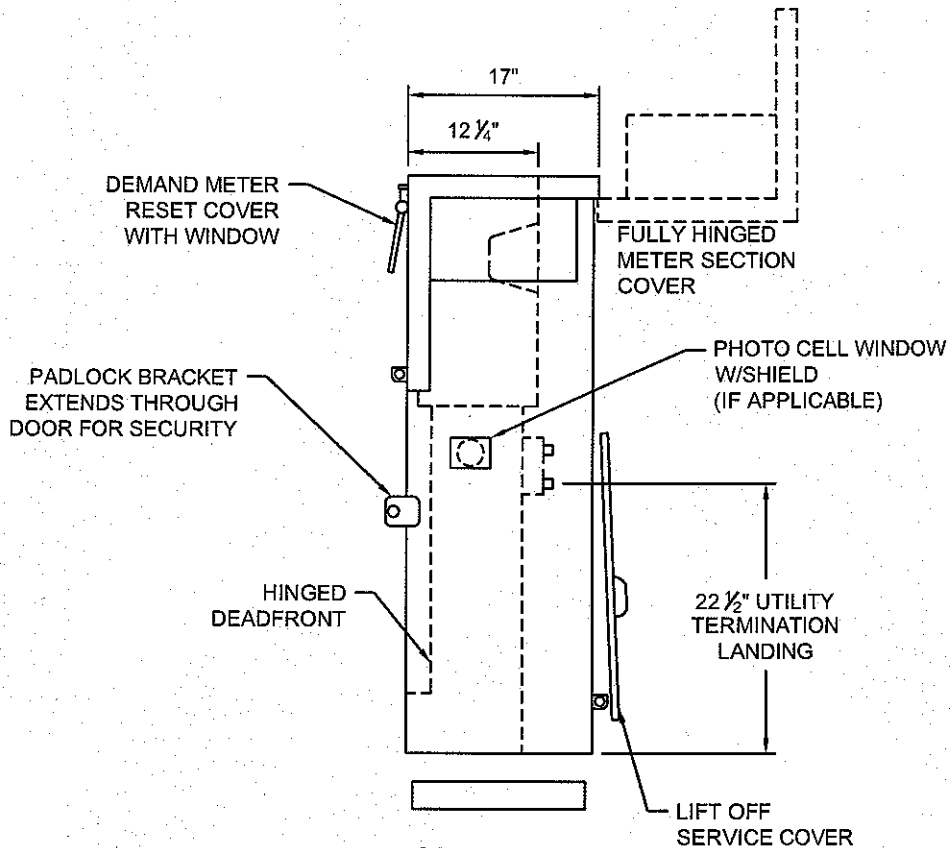


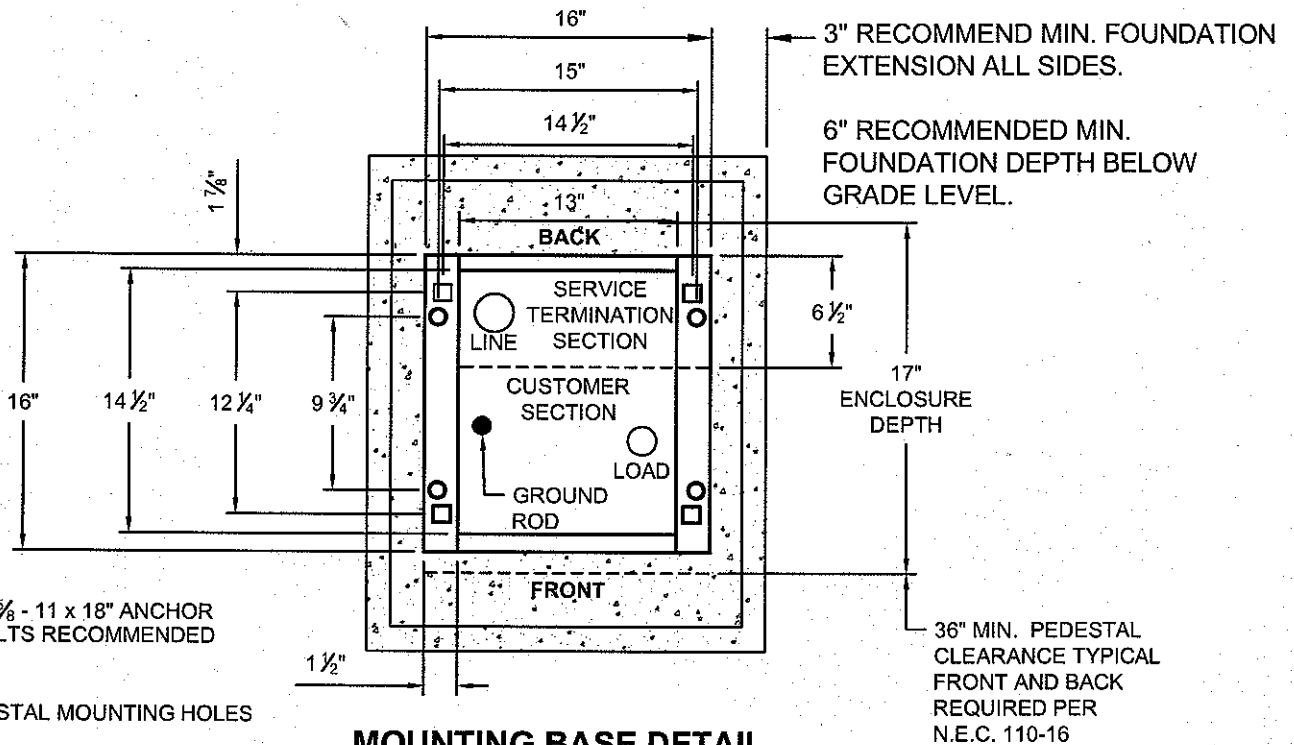
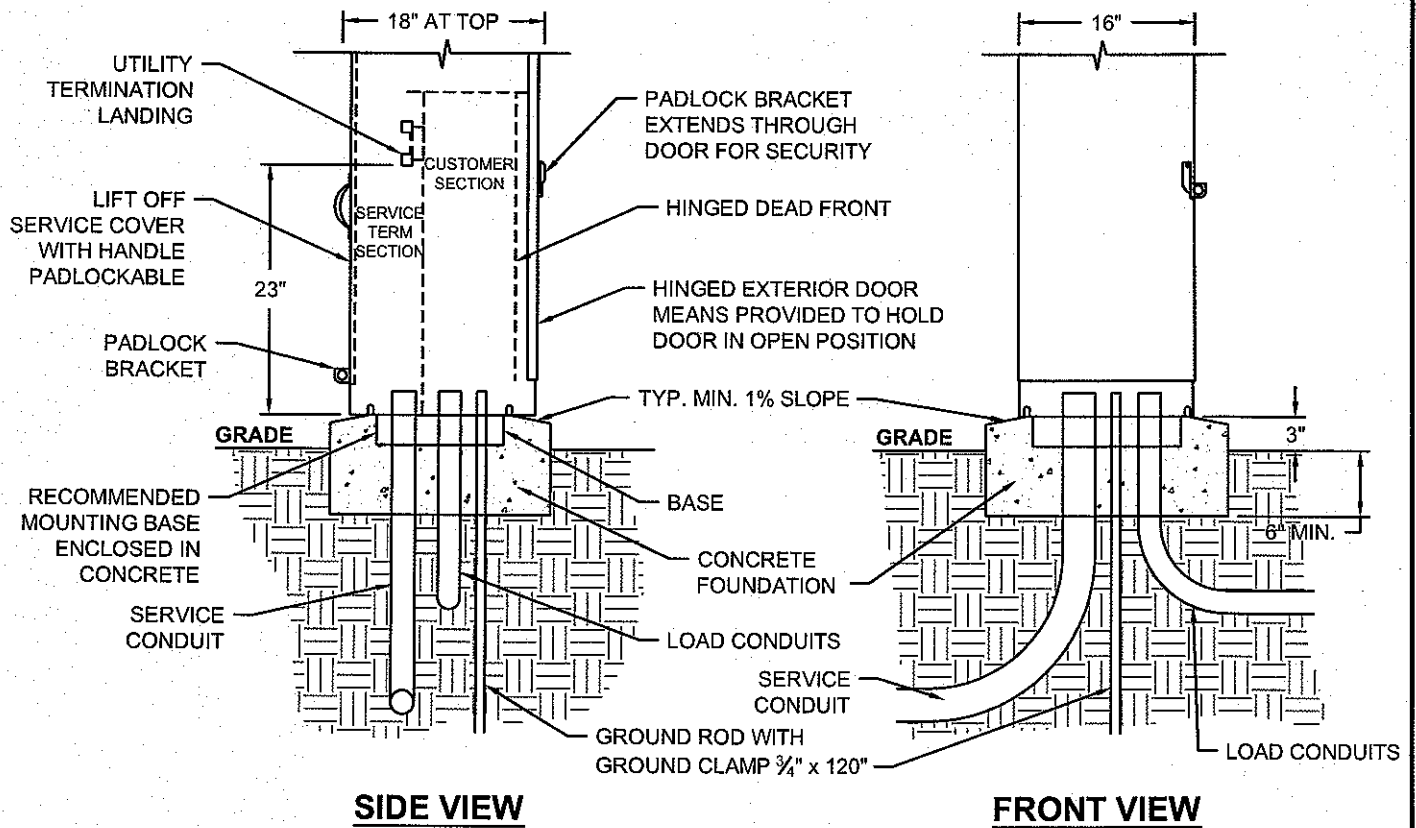


**FRONT VIEW**



**SIDE VIEW**

	<b>REVISIONS</b>		<b>DEPARTMENT OF PUBLIC WORKS ENGINEERING DIVISION</b>		<b>STANDARD PLAN No.</b>
	No.	DATE			
			<b>SHEET</b> 1 OF 2		



REVISIONS		DEPARTMENT OF PUBLIC WORKS ENGINEERING DIVISION
No.	DATE	
		APPROVED BY: <i>Timothy R. Jonasson</i> 4/21/09 TIMOTHY R. JONASSON, P.E. DATE Public Works Director City Engineer R.C.E. No. 45843

*City of La Quinta*

**TYPICAL CONSTRUCTION & INSTALLATION DETAILS**

STANDARD PLAN No.

**730**

SHEET  
2 OF 2