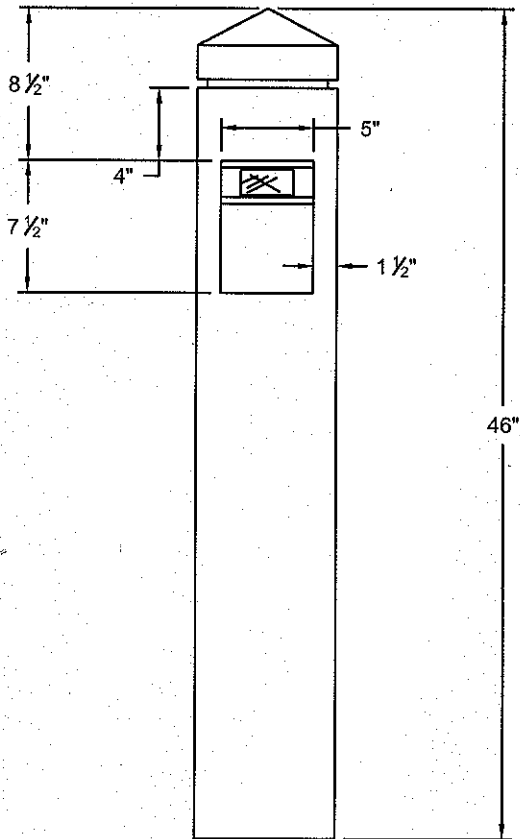
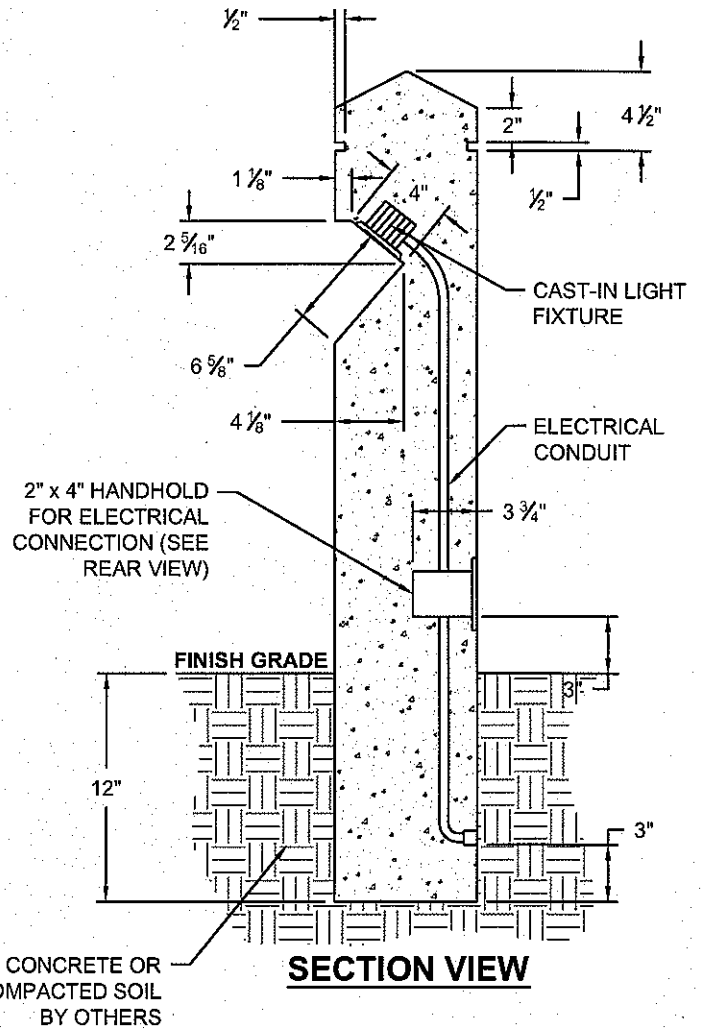


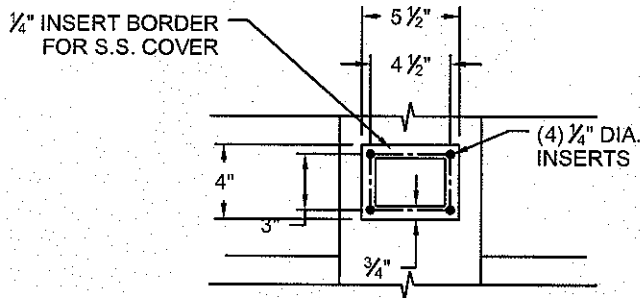
PLAN VIEW



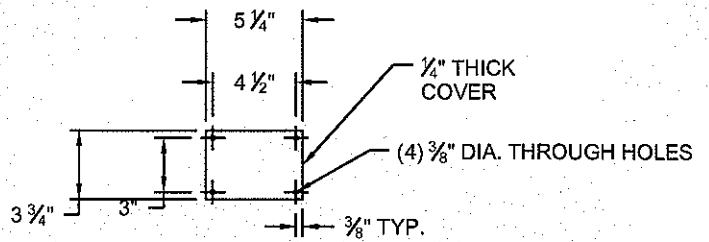
ELEVATION VIEW



SECTION VIEW



REAR VIEW



S.S. ELECTRICAL COVER



REVISIONS

No.	DATE

DEPARTMENT OF PUBLIC WORKS
ENGINEERING DIVISION

APPROVED BY:

Timothy R. Jonasson 4/24/09
TIMOTHY R. JONASSON, P.E. DATE
Public Works Director / Civil Engineer
R.C.E. No. 45843

City of La Quinta

BOLLARD
(8" SQ. x 34"H)

STANDARD
PLAN No.

715

SHEET

1 OF 1