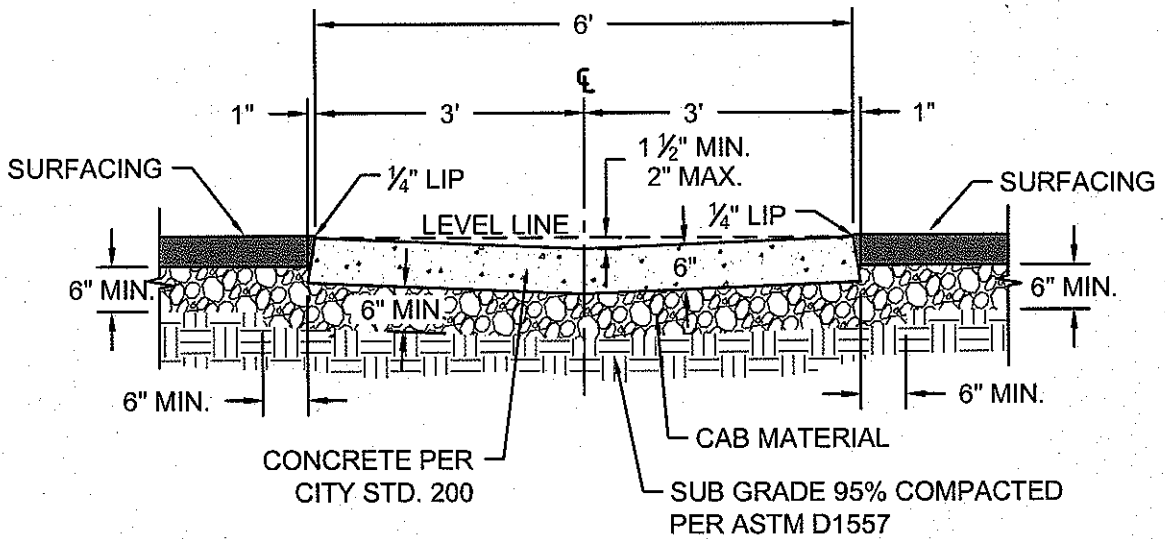


10 FT. CROSS GUTTER



6 FT. CROSS GUTTER (PRIVATE)



REVISIONS

No.	DATE

DEPARTMENT OF PUBLIC WORKS
ENGINEERING DIVISION

APPROVED BY:

Timothy R. Jonasson 11/6/09
TIMOTHY R. JONASSON, P.E. DATE
Public Works Director / City Engineer
R.C.E. No. 45843

City of La Quinta

CROSS GUTTER

STANDARD
PLAN No.

231

SHEET

1 OF 1