

**STRIPING NOTES**

- ① Caltrans detail 12
- ② Caltrans detail 38
- ③ Caltrans detail 39
- ④ Caltrans detail 39A


**GENERAL NOTES**

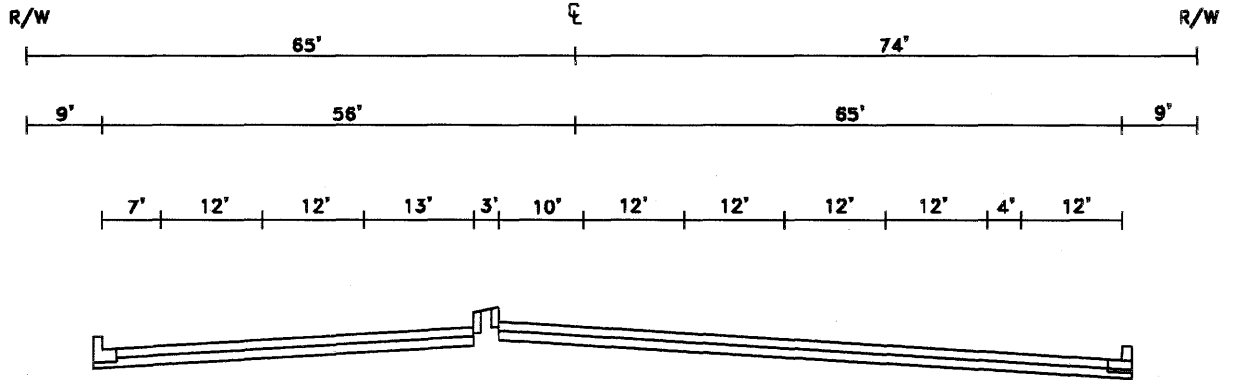
1. See Standard 180 for specific design parameters regarding this street classification.
2. See Standard 181 for spacing requirement regarding access connections to streets in this classification.

**DETAIL NOTES**

- ① Sound barrier height for residential areas shall be determined by noise study. Maximum allowable exposed wall face is six (6) feet. If sound barrier height is higher than six feet, wall must be placed on earthen berm.
- ② Meandering sidewalk shall be constructed in right of way, and in blanket easement for sidewalk purposes covering landscape setback area. Refer to Standard 160.
- ③ Refer to Standard 161 regarding parkway and landscape setback grading design requirements.
- ④ See standard 201 for curb and gutter detail.
- ⑤ The City General Plan calls for a landscape setback area adjacent to the right of way.
- ⑥ This lane width configuration applies only if traffic study indicates additional left turn or right turn lanes are not needed.

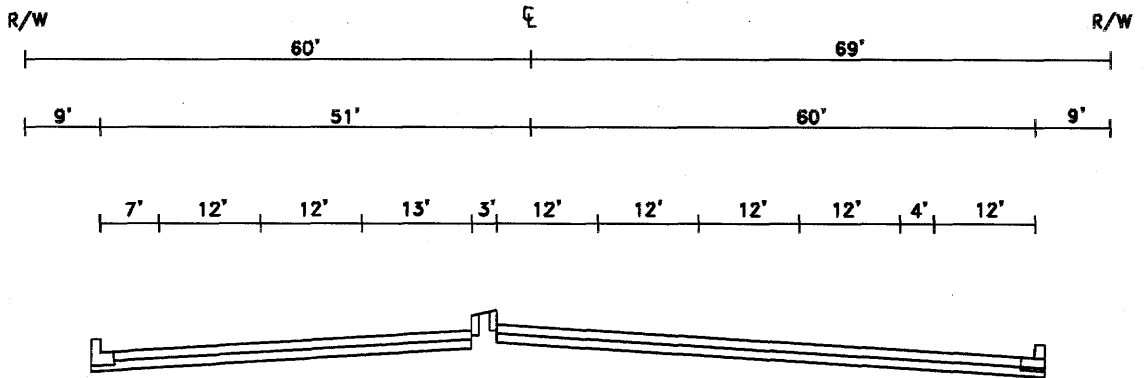
**REVISIONS:**

APPROVED 08/21/01	 <p style="font-size: 2em; font-family: cursive;">City of La Quinta</p>	STANDARD
CHRIS A. VOGT CITY ENGINEER RCE 44250	MAJOR ARTERIAL "B"	115
		SHEET 1 OF 2



LANE WIDTHS AT INTERSECTION WITH:

1. Dual left turn lanes
2. Exclusive right turn lane



LANE WIDTHS AT INTERSECTION WITH:

1. Exclusive right turn lane

REVISIONS:

APPROVED  
08/21/01

CHRIS A. VOGT  
CITY ENGINEER  
RCE 44250



City of La Quinta

MAJOR ARTERIAL "B"

STANDARD

115

SHEET 2 OF 2