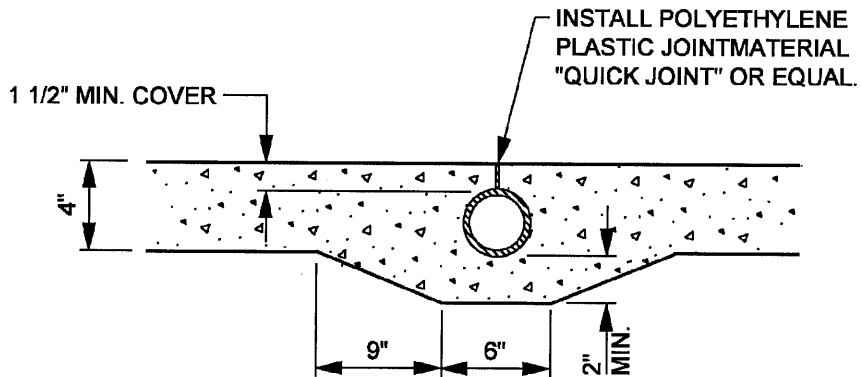


ELEVATION



SECTION A-A

R.C.T.D. STD. No. 310

REVISIONS:

APPROVED 08/21/01
CHRIS A. VOGT CITY ENGINEER RCE 44250



City of La Quinta

PRIVATE DRAIN THROUGH CURB

STANDARD
321
SHEET 1 OF 1