

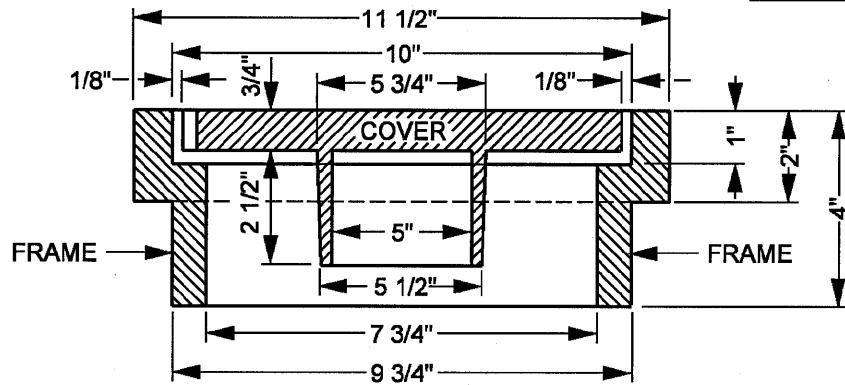
3/8" RADIUS NOTCH

A

A

1/2 PLAN OF COVER

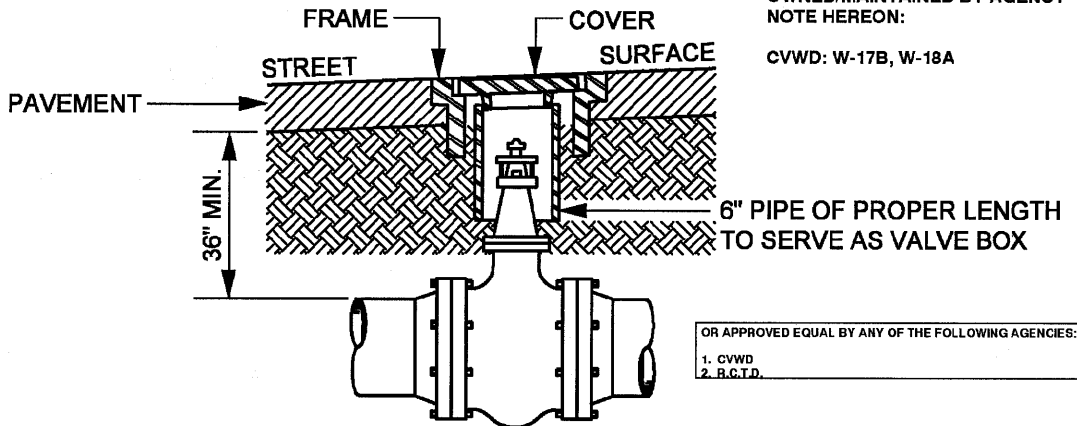
1/2 PLAN OF FRAME



SECTION "A-A"

APPROVED EQUAL DRAWINGS FOR EXCLUSIVE USE WITH FACILITIES OWNED/MAINTAINED BY AGENCY NOTE HEREON:

CVWD: W-17B, W-18A



OR APPROVED EQUAL BY ANY OF THE FOLLOWING AGENCIES:

- 1. CVWD
- 2. B.C.T.D.

R.C.T.D. STD. No. 703

REVISIONS:

APPROVED
08/21/01

CHRIS A. VOGT
CITY ENGINEER
RCE 44250



City of La Quinta

VALVE BOX, FRAME AND COVER

STANDARD

637

SHEET 1 OF 1