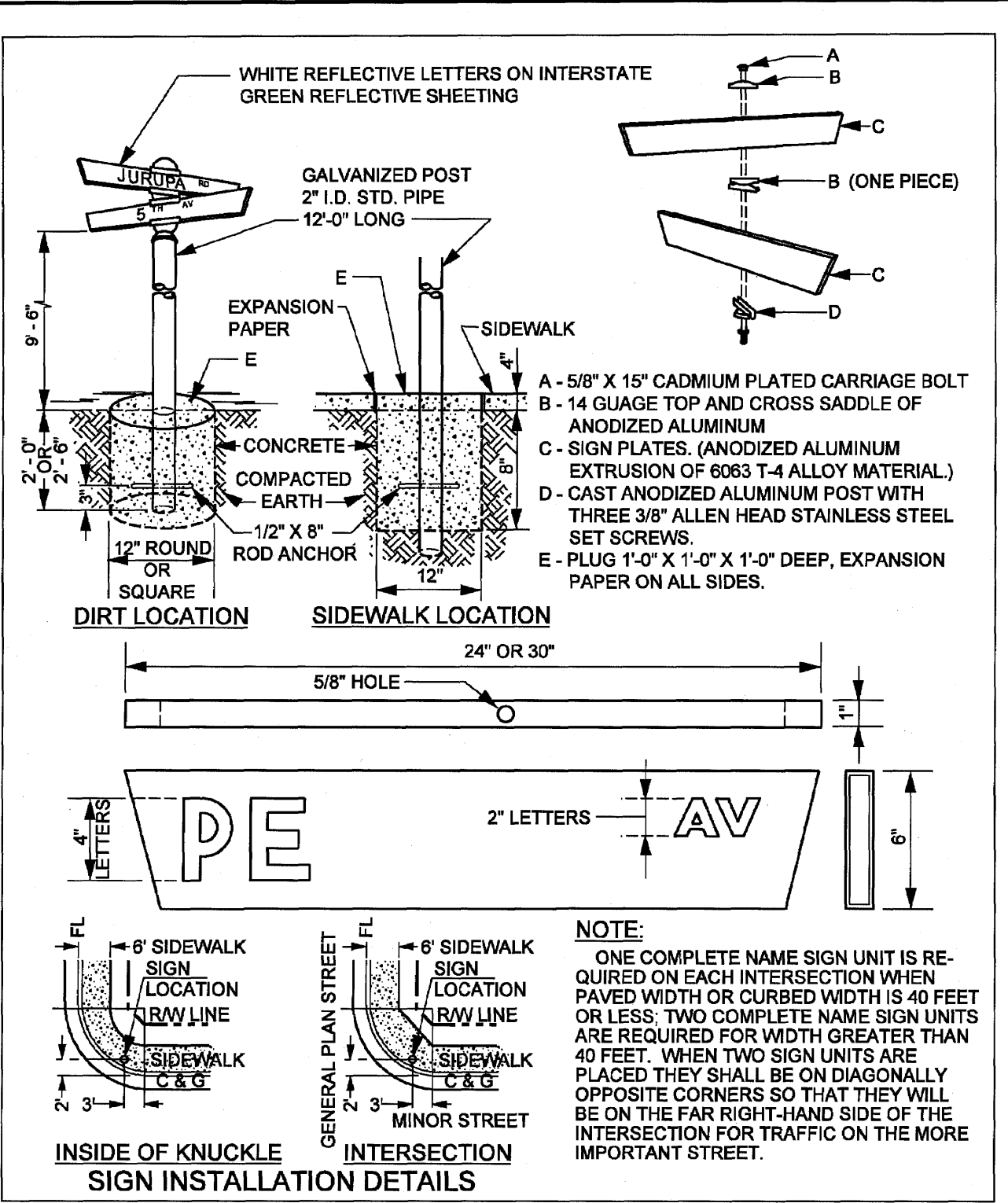


R.C.T.D. STD. No. 816



REVISIONS:

APPROVED
08/21/01

CHRIS A. VOGT
CITY ENGINEER
RCE 44250



City of La Quinta

STREET NAME SIGN

STANDARD

500

SHEET 1 OF 1